

Valves

Valves with NAMUR-Interface

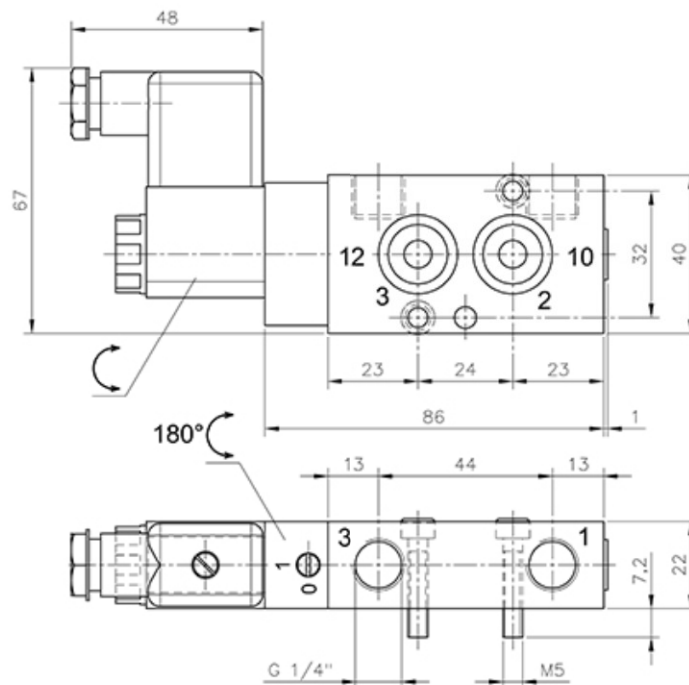
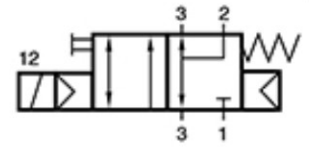
Solenoid valves

3/2-way valves

MNH 311 701

Solenoid valve with NAMUR interface | monostable | NC |
combined spring return | with manual override

HAFNER



Specifications

| | |
|--------------------|----------------------|
| Port size | G 1/4" |
| Air flow | 1250 l/min |
| Operating pressure | 2,5...10 bar |
| Funktion | Single solenoid NC |
| Power consumption | 3 W / 5 VA |
| Interface | NAMUR [1/4"] |

www.hafner-pneumatika.com