

Valves

ATEX Valves

Valves with NAMUR-interface

Ignition protection type | EEx m II

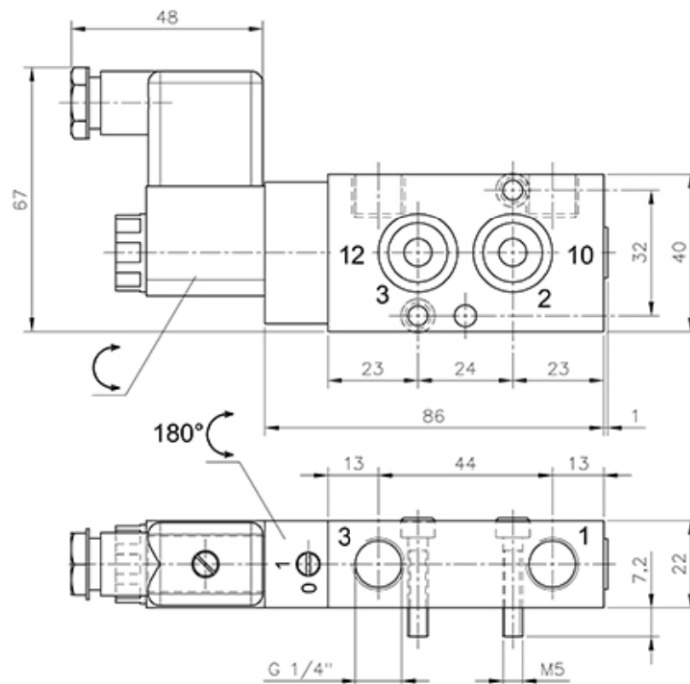
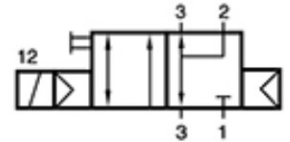
T4

3/2-way valves

MNH 310 701 Ex m

Explosion proof solenoid valve with NAMUR interface | monostable | NC | air spring return | with manual override | ATEX

HAFNER



Specifications

Port size	G 1/4"
Air flow	1250 l/min
Operating pressure	2...10 bar
Funktion	single solenoid NC
Power consumption	3 W / 5 VA
Interface	NAMUR [1/4"]

www.hafner-pneumatika.com